



## **Companion Guide**

### **Health Care Claim Status Inquiry and Response**

#### **276/277 Companion Guide**

**Refers to the ASC X12N 276/277  
Technical Report Type 3 Guide  
(Version 005010X212)**

**July 2018**

## Disclosure Statement

It is the sole responsibility of the provider/vendor to initiate all transactions.

Health plans are dynamic; the data included in these transactions is deemed true and accurate only at the particular time of the transaction. Any questions regarding the data should be directed to the Security Health Plan Provider Relations department for claims and/or remittance data.

### Preface

This Companion Guide to the v5010 ASC X12N Implementation Guides and associated errata adopted under HIPAA clarifies and specifies the data content when exchanging electronically with Security Health Plan. Transmissions based on this companion guide, used in tandem with the v5010 ASC X12N Implementation Guides, are compliant with both ASC X12 syntax and those guides. This Companion Guide is intended to convey information that is within the framework of the ASC X12N Implementation Guides adopted for use under HIPAA. The Companion Guide is not intended to convey information that in any way exceeds the requirements or usages of data expressed in the Implementation Guides.

**Editor's Note:**

This page is blank because major sections of a book should begin on a right hand page.

Table of Contents

**1 INTRODUCTION ..... 6**

    Scope..... 6

    Overview ..... 6

    References ..... 6

    Additional Information ..... 6

**2 GETTING STARTED..... 6**

    Working with Security Health Plan ..... 6

    Trading Partner Registration ..... 6

    Certification and Testing Overview..... 6

**3 TESTING WITH THE PAYER ..... 6**

**4 CONNECTIVITY WITH THE PAYER/COMMUNICATIONS ..... 7**

    Process Flows ..... 7

    Transmission Administrative Procedures ..... 7

    Re-Transmission Procedure ..... 7

    Communication Protocol Specifications ..... 8

    Passwords..... 8

**5 CONTACT INFORMATION ..... 8**

    EDI Customer Service..... 9

    EDI Technical Assistance ..... 9

    Provider Service Number ..... 9

    Applicable Websites/E-Mail ..... 9

**6 CONTROL SEGMENTS/ENVELOPES ..... 9**

    ISA-IEA..... 9

    GS-GE ..... 10

    ST-SE..... 11

**7 PAYER SPECIFIC BUSINESS RULES AND LIMITATIONS ..... 12**

**8 ACKNOWLEDGEMENTS AND/OR REPORTS ..... 13**

    Report Inventory ..... 13

**9 TRADING PARTNER AGREEMENTS ..... 13**

    Trading Partners..... 13

**10 TRANSACTION SPECIFIC INFORMATION..... 13**

**APPENDICES ..... 15**

    1. Implementation Checklist ..... 15

    2. Business Scenarios ..... 15

    3. Transmission Examples ..... 15

    4. Frequently Asked Questions ..... 15

    5. Change Summary ..... 15

### 1 INTRODUCTION

#### Scope

This Companion Guide has been designed to describe to Security Health Plan's trading partners the format and data content of the Claim Status 276/277 transaction set in the Electronic Data Interchange (EDI) environment. The 276 transaction is used to request claim status and the 277 transaction is used to respond with the information for the specified claim.

#### Overview

The Council for Affordable and Quality Healthcare (CAQH) created the Committee on Operating Rules for Information Exchange (CORE). This committee established a common set of operating rules for health care systems which allow providers and other health care systems to implement the CORE operating rules.

#### References

For more information regarding the ASC X12 Standards for Electronic Data Interchange and to purchase copies of the TR3 documents, consult the Washington Publishing Company web site at <http://www.wpcedi.com/>.

The CORE Phase operating rules are located on the CAQH web site at <http://www.caqh.org>.

#### Additional Information

Assumes the provider/vendor initiates all transactions.

### 2 GETTING STARTED

#### Working with Security Health Plan

Questions related to the 276/277 claim status transactions should contact Security Health Plan's Provider Relations department at 715-221-9640 or [shpprd@securityhealthplan.org](mailto:shpprd@securityhealthplan.org).

#### Trading Partner Registration

All providers who want to submit 276 claim status transactions should contact Security Health Plan's Provider Relations department at 715-221-9640 or [shpprd@securityhealthplan.org](mailto:shpprd@securityhealthplan.org).

#### Certification and Testing Overview

Testing with the payer is required. You must contact the payer prior to sending all transactions.

### 3 TESTING WITH THE PAYER

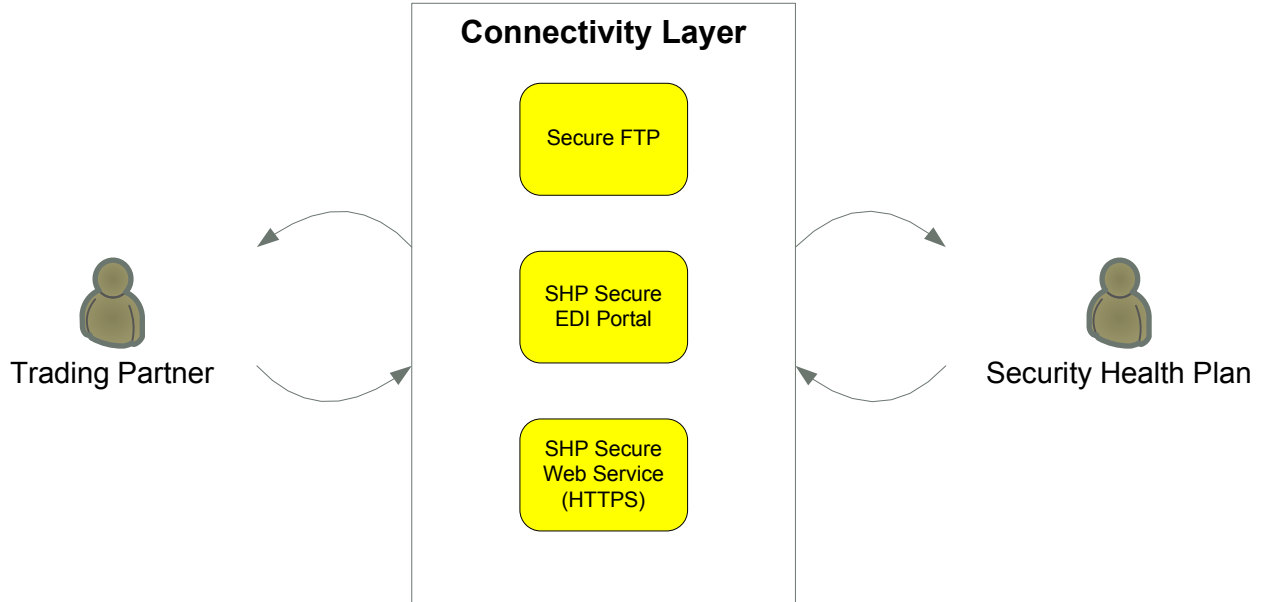
Prior to receiving any transactions from Security Health plan, you must first submit test transactions by contacting Security Health Plan's Provider Relations department at 715-221-9640 or [shpprd@securityhealthplan.org](mailto:shpprd@securityhealthplan.org). The Provider Relations department will work with you to ensure that testing has been verified and completed at which time you will be notified that your future transactions will be treated as production.

All test submissions are to be sent in a separate file from normal production transactions. All ASC X12 transactions must use ISA15 (Usage Indicator) to signal whether the data enclosed in the interchange envelope is test or production.

## 4 CONNECTIVITY WITH THE PAYER/COMMUNICATIONS

### Process Flows

This process flow shows a high level overview of trading partner connectivity to Security Health Plan and illustrates the methods used for connectivity.



### Transmission Administrative Procedures

#### System availability

The core system application is available 24 hours per day, 7 days per week.

#### Monthly maintenance

There is potential for monthly maintenance on the first Wednesday of every month from 7 to 7:30 p.m. During this time the batch and real-time processing could be down.

#### Holiday schedule

Security Health Plan observes the following holidays: New Years Day, Memorial Day, Fourth of July, Labor Day, Thanksgiving, Christmas Eve and Christmas Day.

#### Non-Routine Downtime

Security Health Plan will let you know one week in advance of any non-routine downtime. Please check the following website for information.

<https://content.stage.securityhealth.org/providers/non-routine-downtime>

#### Unscheduled Downtime

Security Health Plan will let you know within one hour of becoming aware of any non-routine downtime. Please check the following website for information.

<https://content.stage.securityhealth.org/providers/unscheduled-downtime>

### Real-time inquires

Real-time 270 requests contain only one inquiry per member per transaction. The following responses to the inquiry will be provided within 20 seconds: 999 reject or 271.

### Re-Transmission Procedure

#### Transmission/Production Issues

When file transmission or technical production issues occur, which could require the re-submission of files, please contact Security Health Plan's Provider Relations department at 715-221-9640.

### Communication Protocol Specifications

#### SHP Secure EDI Portal

The SHP Secure EDI Portal allows a trading partner to post and retrieve files. A trading partner must be an authenticated portal user. The trading partner accesses the SHP Secure EDI Portal from a web browser and is prompted for a login and password.

#### Secure FTP

Secure FTP is an appropriate alternative to the SHP Secure EDI Portal for large volume trading partners. For submitting and retrieving files via Secure FTP, access is available free of charge to trading partners. Secure FTP setup will usually occur during trading partner enrollment.

#### Secure Web Service

Secure Web Service is available to trading partners via HTTPS. For submitting and retrieving files via Secure Web Service, access is available free of charge to trading partners.

Protocol Family: HTTP

Application Protocol: HTTPS

HTTP Language: HTML

HTTP Method: POST

HTML element for "X12 transaction data": payload

### Passwords

#### Trading Partner ID

The Trading Partner ID links the trading partner to their transaction data and is the Security Health Plan's internal key to accessing their trading partner information.

#### Login Credentials

In order to receive your authorized user login credentials, all trading partners, regardless of submission method, must be enrolled with Security Health Plan and approved as trading partners. Login credentials include names/ids and passwords, that will be required for the submission of transactions to Security Health Plan. A user ID and password will be assigned for the chosen communication method.

## 5 CONTACT INFORMATION

Please have the following information available when calling Security Health Plan's Provider Relations department regarding transmission and production issues:

- Trading Partner ID and Name
- Communication Method
- Login Name for Communication Method
- Any transactional data needed for specific issues regarding transactions



**EDI Customer Service**

The contact information for customer service is as follows:

- 715-221-9640
- [shpprd@securityhealthplan.org](mailto:shpprd@securityhealthplan.org)

**EDI Technical Assistance**

In the event of technical difficulties please call 715-221-9640 or email [shpprd@securityhealthplan.org](mailto:shpprd@securityhealthplan.org)

**Provider Service Number**

Security Health Plan’s Provider Relations department should be contacted 715-221-9640 or [shpprd@securityhealthplan.org](mailto:shpprd@securityhealthplan.org).

**Applicable Websites/E-Mail**

CAQH CORE - <http://www.caqh.org>

Washington Publishing Company - <http://www.wpc-edi.com>

ASC X12 guides: <http://store.x12.org/store/>

**6 CONTROL SEGMENTS/ENVELOPES**

**ISA-IEA**

This section describes the use of the Interchange Control segments, ISA and IEA. These segments mark the beginning and ending of an interchange. The ISA segment has a fixed length and all the elements within this segment must be populated. This segment includes a description of the expected sender and receiver codes and delimiters. The first element delimiter in the ISA segment is an Asterisk (\*) which will be used as the delimiter throughout the transaction. The final character in the ISA segment is a Tilde (~) will be used as the delimiter for each segment in the transaction.

**276:**

Segment	Element	Name	Code	Definition of Code/Notes
ISA		Interchange Control Header Segment		
	ISA01	Authorization Information Qualifier	'00'	No Authorization Information Present
	ISA02	Authorization Information	10 'spaces'	Authorization Information
	ISA03	Security Information Qualifier	'01'	Password Qualifier
	ISA04	Security Information		Password
	ISA05	Interchange ID Qualifier of Sender	'ZZ'	Mutually defined
	ISA06	Interchange Sender ID	<Sender ID>	Interchange Sender ID
	ISA07	Interchange ID Qualifier of Receiver	'ZZ'	U.S. Federal Tax Identification Number
	ISA08	Interchange Receiver ID	'390452970'	Interchange Receiver ID for Security Health Plan
	ISA09	Interchange Date	YYMMDD	Date of the interchange
	ISA10	Interchange Time	HHMM	Time of the interchange
	ISA11	Interchange Control Standards Identifier	'^'	U.S EDI Community of ASC X12, TDCC and UCS
	ISA12	Interchange Control Version Number	'00501'	
	ISA13	Interchange Control Number		Must be identical to IEA02
	ISA14	Acknowledgement Requested	'0'	No acknowledgement

## Security Health Plan 276/277 Companion Guide

				requested
	ISA15	Usage Indicator	'P'	'P': Production Data
	ISA16	Component Element Separator	>	Component element separator is a delimiter and not a data element
IEA		Interchange Control Trailer Segment		
	IEA01	Number of Included Functional Groups	'1'	Functional Group count
	IEA02	Interchange Control Number		Identical to ISA13

### 277:

Segment	Element	Name	Code	Definition of Code/Notes
ISA		Interchange Control Header Segment		
	ISA01	Authorization Information Qualifier	'00'	No Authorization Information Present
	ISA02	Authorization Information	10 'spaces'	Authorization Information
	ISA03	Security Information Qualifier	'01'	Password Qualifier
	ISA04	Security Information		Password
	ISA05	Interchange ID Qualifier of Sender	'ZZ'	Mutually defined
	ISA06	Interchange Sender ID	'390452970'	Interchange Sender ID for Security Health Plan
	ISA07	Interchange ID Qualifier of Receiver	'ZZ'	U.S. Federal Tax Identification Number
	ISA08	Interchange Receiver ID	<Receiver ID>	Interchange Receiver ID
	ISA09	Interchange Date	YYMMDD	Date of the interchange
	ISA10	Interchange Time	HHMM	Time of the interchange
	ISA11	Interchange Control Standards Identifier	'^'	U.S EDI Community of ASC X12, TDCC and UCS
	ISA12	Interchange Control Version Number	'00501'	
	ISA13	Interchange Control Number		Must be identical to IEA02
	ISA14	Acknowledgement Requested	'0'	No acknowledgement requested
	ISA15	Usage Indicator	'P'	'P': Production Data
	ISA16	Component Element Separator	>	Component element separator is a delimiter and not a data element
IEA		Interchange Control Trailer Segment		
	IEA01	Number of Included Functional Groups	'1'	Functional Group count
	IEA02	Interchange Control Number		Identical to ISA13

### GS-GE

This section describes Security Health Plan's use of the functional group control segments. It includes a description of expected application sender and receiver codes. Also included in this section is a description concerning how Security Health Plan expects functional groups to be sent and how Security Health Plan will send functional groups. These discussions will describe how similar transaction sets will be packaged and Security Health Plan's use of functional group control numbers.

### 276:

Segment	Element	Name	Code	Definition of Code/Notes
GS		Functional Group Header		

## Security Health Plan 276/277 Companion Guide

	GS01	Functional Identifier Code	'HR'	Claim Status Inquiry (276)
	GS02	Application Sender's Code		Code identifying party sending transmission; codes agreed to by trading partners
	GS03	Application Receiver's Code	'390452970'	Code identifying party receiving transmission; Value should not always be Security Health Plan
	GS04	Date	CCYYMMDD	Date of functional group creation
	GS05	Time	HHMM	Creation time
	GS06	Group Control Number		Identical to GE02
	GS07	Responsible Agency Code	'X'	Accredited Standards Committee X12. Value should always be 'X'.
	GS08	Version/Release/Industry Identifier Code	'005010X212'	Health Care Claim Status Inquiry and Response 276/277 Implementation Guide version
GE		Functional Group Trailer		
	GE01	Number of Transaction Sets Included	'1'	Number of transactions included
	GE02	Group Control Number		Identical to GS06

### 277:

Segment	Element	Name	Code	Definition of Code/Notes
GS		Functional Group Header		
	GS01	Functional Identifier Code	'HN'	Claim Status Information (277)
	GS02	Application Sender's Code		Code identifying party sending transmission; codes agreed to by trading partners
	GS03	Application Receiver's Code	'390452970'	Code identifying party receiving transmission; Value should not always be Security Health Plan
	GS04	Date	CCYYMMDD	Date of functional group creation
	GS05	Time	HHMM	Creation time
	GS06	Group Control Number		Identical to GE02
	GS07	Responsible Agency Code	'X'	Accredited Standards Committee X12. Value should always be 'X'.
	GS08	Version/Release/Industry Identifier Code	'005010X212'	Health Care Claim Status Inquiry and Response 276/277 Implementation Guide version
GE		Functional Group Trailer		
	GE01	Number of Transaction Sets Included	'1'	Number of transactions included
	GE02	Group Control Number		Identical to GS06

### ST-SE

This section indicates the beginning and the ending of a transaction set and provides the count of the

## Security Health Plan 276/277 Companion Guide

transmitted segments including the beginning (ST) and ending (SE) segments. These segments also provide a Transaction Set Control Number which must be identical in each segment.

### 276:

Segment	Element	Name	Code	Definition of Code/Notes
ST		Transaction Set Header		
	ST01	Transaction Set Identifier	'276'	Claim Status Inquiry
	ST02	Transaction Set Control Number		Transaction Set Control Number. The Transaction set control numbers in ST
SE		Transaction Set Trailer		
	SE01	Transaction Segment Count	<Total Segments>	Total number of segments included in a transaction set including ST and SE segments.
	SE02	Transaction Set Control Number		Transaction Set Control Number. The transaction set control numbers in ST02 and SE02 must be identical.

### 277:

Segment	Element	Name	Code	Definition of Code/Notes
ST		Transaction Set Header		
	ST01	Transaction Set Identifier	'277'	Claim Status Information
	ST02	Transaction Set Control Number		Transaction Set Control Number. The Transaction set control numbers in ST
SE		Transaction Set Trailer		
	SE01	Transaction Segment Count	<Total Segments>	Total number of segments included in a transaction set including ST and SE segments.
	SE02	Transaction Set Control Number		Transaction Set Control Number. The transaction set control numbers in ST02 and SE02 must be identical.

## 7 PAYER SPECIFIC BUSINESS RULES AND LIMITATIONS

Many of the data elements detailed in this Companion Guide reflect Security Health Plan's business requirements, but still meet the standard requirements in the ASC X12N Implementation Guide. Inclusion of a "business-required" data field, as defined by this Companion Guide, will aid in the delivery of a positive response from Security Health Plan.

### 276 Request

The 276 inquiry must include the patient's member ID number (Medicaid ID, Subscriber ID, or SSN), last name, first name, gender, and date of birth.

## Security Health Plan 276/277 Companion Guide

Security Health Plan processes all alpha characters, dashes, spaces, apostrophes, or periods. No other special characters are processed.

### 8 ACKNOWLEDGEMENTS AND/OR REPORTS

276 Claim Status Requests submitted to Security Health Plan must be HIPAA compliant.

#### Report Inventory

Security Health Plan will issue a 999 Acknowledgment for Health Care Insurance (005010X231A1) when a 276 request fails validation of HIPAA edits.

Security Health Plan does not return positive acknowledgments for successful 276 requests (the 277 acts as the acknowledgment).

The purpose of the 999 Acknowledgment (Reject) is to identify critical errors within the 276 request based on the ASC X12N 276 (version 005010X212) Technical Report Type 3 guide. The submitter should review the 999 to determine what errors occurred.

### 9 TRADING PARTNER AGREEMENTS

To initiate the evaluation process for potentially becoming a Trading Partner with Security Health Plan, please contact us at 715-221-9640 or [shpprd@securityhealthplan.org](mailto:shpprd@securityhealthplan.org)

In your request, please include the following information:

- Company Name and Address
- Primary and Alternate Contact Information (Email Address and Phone Numbers)

#### Trading Partners

An EDI Trading Partner is defined as any Security Health Plan customer (provider, billing service, software vendor, etc.) that transmits to, or receives electronic data from Security Health Plan.

### 10 TRANSACTION SPECIFIC INFORMATION

This section contains data clarifications, including Security Health Plan-specific data requirements. For additional guidance on the use of business rules, please see Section 7.

#### Loop 2100A - Payer Name (276)

Segment	Element	Industry Name	Comments
<b>Information Source Name (NM1)</b>			
NM1	NM101	Entity Identifier Code	'PR'
NM1	NM102	Entity Type Qualifier	'2'
NM1	NM103	Name Last or Organization Name	'SECURITY HEALTH PLAN'
NM1	NM108	Identification Code Qualifier	'PI'
NM1	NM109	Identification Code	'SHP'

#### Loop 2100D - Subscriber Name (276)

Segment	Element	Industry Name	Comments
<b>Subscriber Name (NM1)</b>			
NM1	NM108	Identification Code Qualifier	'MI'
NM1	NM109	Identification Code	Medicaid ID Subscriber ID

## Security Health Plan 276/277 Companion Guide

---

			SSN
--	--	--	-----

### Loop 2100A - Payer Name (277)

Segment	Element	Industry Name	Comments
<b>Information Source Name (NM1)</b>			
NM1	NM101	Entity Identifier Code	'PR'
NM1	NM102	Entity Type Qualifier	'2'
NM1	NM103	Name Last or Organization Name	'SECURITY HEALTH PLAN'
NM1	NM108	Identification Code Qualifier	'PI'
NM1	NM109	Identification Code	'SHP'

### APPENDICES

#### 1. Implementation Checklist

Security Health Plan does not offer an Implementation Checklist for our Trading Partner EDI services. Security Health Plan assists new Trading Partners with enrollment and testing, but a formal implementation checklist is not necessary.

#### 2. Business Scenarios

Please contact the Security Health Plan Provider Relations Department to discuss your specific EDI related business needs with Security Health Plan, should they not be covered in this guide or other available Security Health Plan transaction companion guides.

#### 3. Transmission Examples

Please contact the Security Health Plan Provider Relations Department for any question regarding transmission examples.

#### 4. Frequently Asked Questions

N/A

#### 5. Change Summary

This is the first Security Health Plan 276/277 Companion Guide created with the CORE template.